

MCCULLOCH®

~~PARTNER~~ Poulan®

ILLUSTRATED PARTS LIST

CABRIO 251 - 261

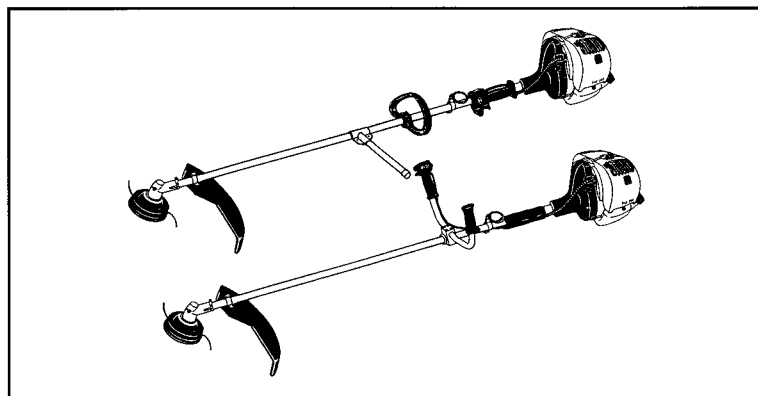
EUROMAC D250

PARTNER B251 - B261

POULAN SBL 251

SERIAL NUMBER PREFIX 01

CE



January 2001

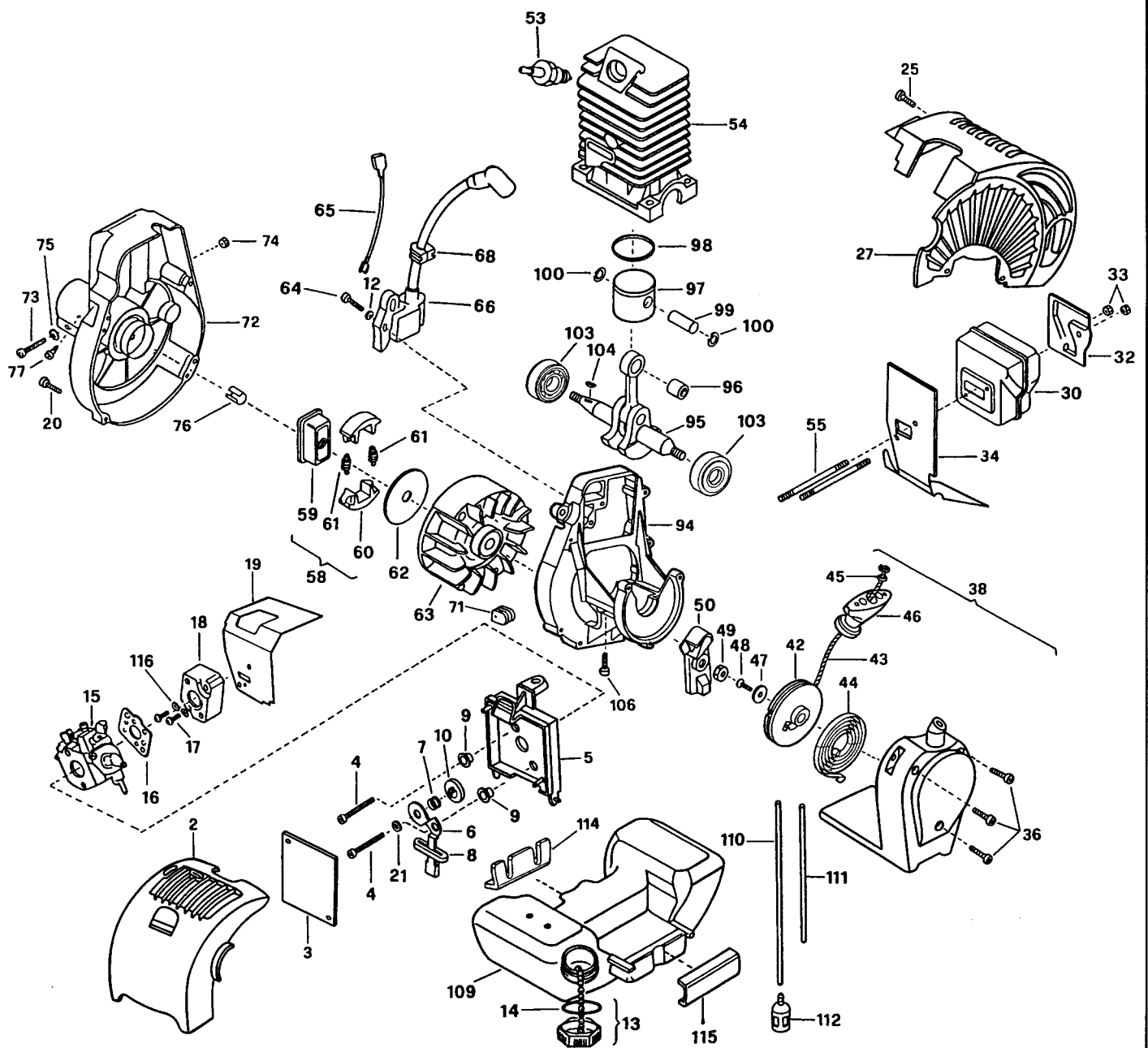


FIGURE 1

2	242019	yellow/giallo/jaune/gelb	1	C 18	241750	1	45	● 235612	1	68	236322	1	C 109	242040	1		
	242103	grey/grigio/gris/grau	1	B 19	242034	1	46	● 241778	1	71	241607	1	B 110	● 229717	1		
	242093	gold/oro/or/gold	1	20	227568	M4x20	4	47	● 241703	1	C 72	241725	1	B 111	● 229743	1	
	242139	green/verde/vert/grün	1	21	235248		1	48	● 240862	1	73	● 235803	1	A 112	93720	1	
B 3	242035		1	25	241963	M4x22	2	49	241624	1	74	● 229524	1	114	242038	1	
4	235808	M5x50	2	27	242079	yellow/giallo/jaune/gelb	1	50	241784	1	75	● 235248	1	115	242039	1	
5	248485		1		242089	grey/grigio/gris/grau	1	A 53	92879	1	76	● 228260	1	116	235248	2	
6	● 241769		1		242058	gold/oro/or/gold	1	C 54	241800	1	77	236981	1				
7	● 235822		1		242141	green/verde/vert/grün	1	55	242037	2	94	242029	1				
8	● 241622		1	C 30	242131		1	B 58	241793	1	95	242003	1				
9	● 227022		2	32	323760		1	59	● 241789	1	C 96	● 235742	1				
10	● 241602		1	33	235642		2	60	● 241743	2	C 97	248177	1				
12	235248		2	B 34	242036		1	A 61	● 241794	2	B 98	● 240002	1				
B 13	236563		1	36	241963	M4x22	3	62	241604	1	99	● 241735	1				
A 14	● 236564		1	C 38	242041		1	63	241796	1	100	● 235008	2				
C 15	FIGURE 4			B 42	● 241620		1	64	235806	M5x20	2	C 103	242030	2			
A 16	241600		1	A 43	● 241746		1	65	241606	1	C 104	227631	1				
17	235806	M5x20	2	B 44	● 241619		1	C 66	241749	1	106	235803	M5x25	4			

A = high moving - alta rotazione - haute demande - große Nachfrage

B = medium moving - media rotazione - moyenne demande - mittelmäßige Nachfrage

C = slow moving - bassa rotazione - basse demande - wenige Nachfrage

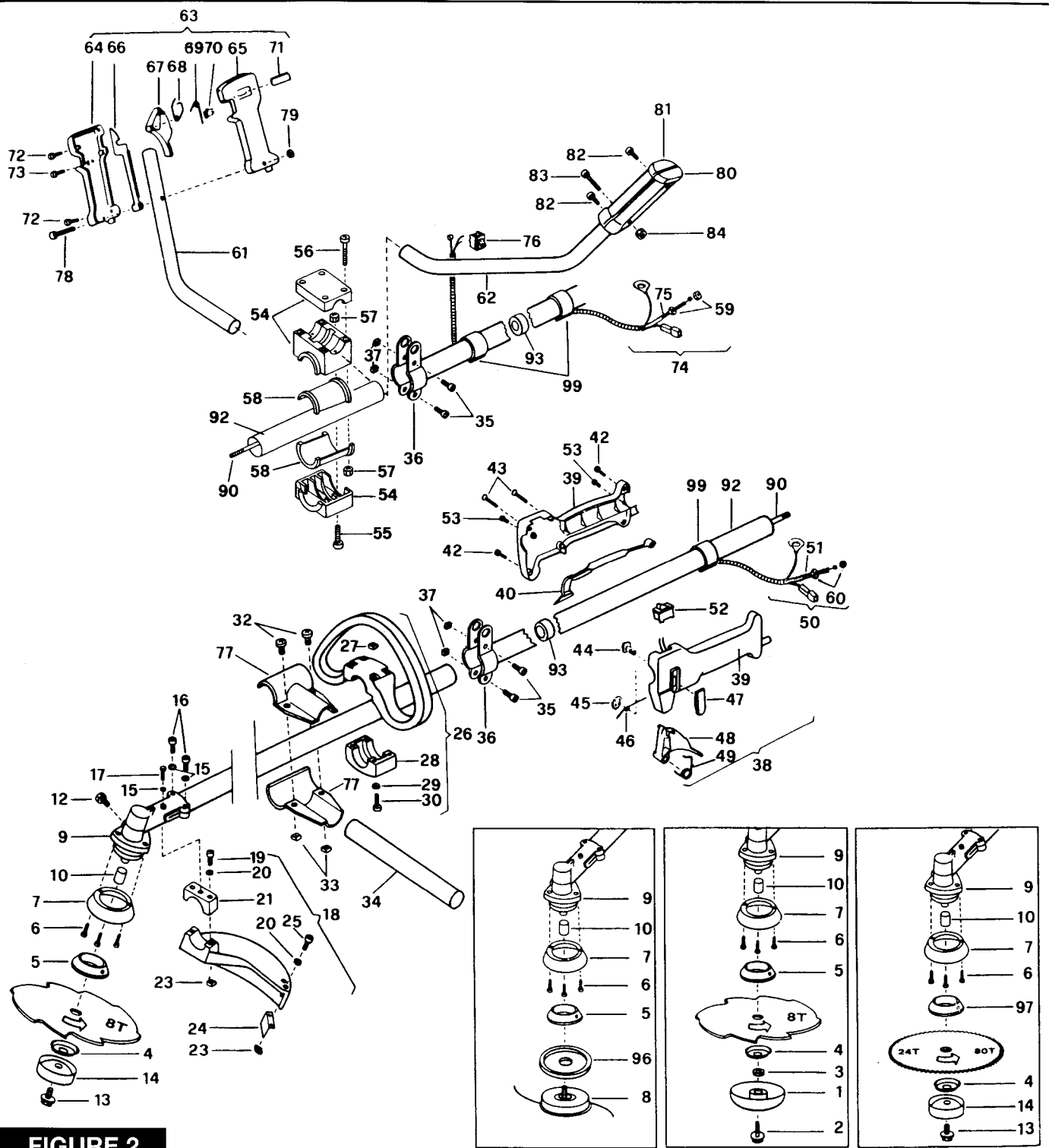
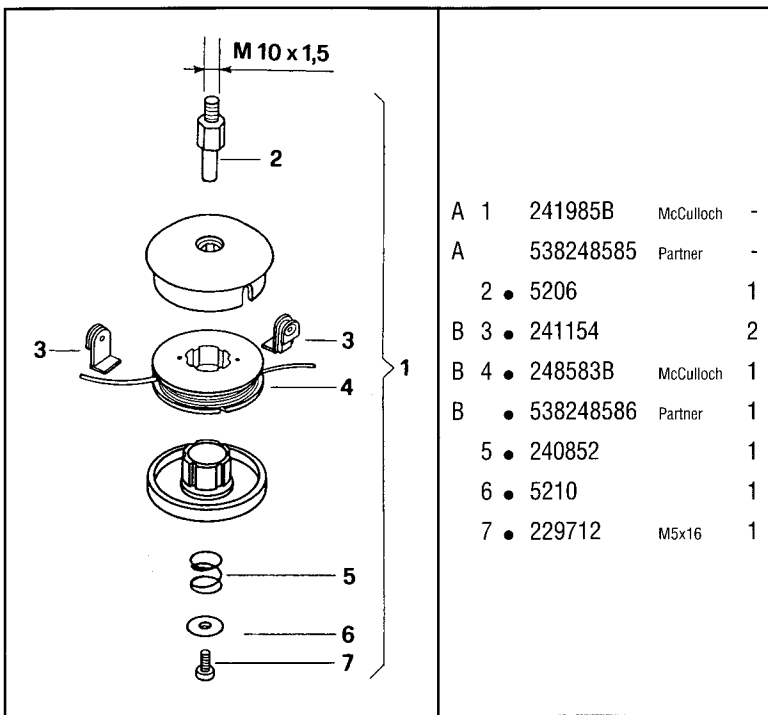


FIGURE 2

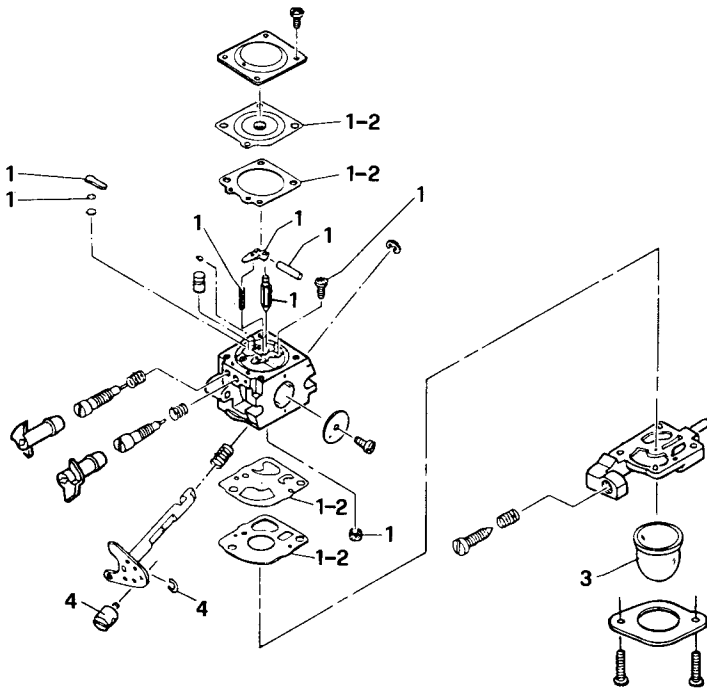
A 1	240809	1	20	● 235248	4	40	●● 229819	1	59	235912	2	77	228146	2
A 2	● 240806	1	21	● 240931	1	42	● 240618	2	60	235912	2	78	235804	M5x30 1
3	● 240807	1	23	● 236732	4	43	● 240833	4	61	229831	1	79	235216	1
A 4	229834	1	24	● 241973	1	44	● 229823	1	62	229832	1	80	229984	1
A 5	229833	1	25	● 235802	M5x14 2	45	● 227065	1	63	227089	1	81	229985	1
6	240688	M5x14 3	26	227068	1	46	● 229973	1	64	● 241293	1	82	240833	2
B 7	240767	1	27	● 236642	4	47	● 229824	1	65	● 241294	1	83	235212	M5x35 1
A 8	FIGURE 3		28	● 227046	1	48	● 241296	1	66	● 229820	1	84	235216	1
9	241426	1	29	● 236936	4	49	● 240091	1	67	● 241295	1	90	240486	1
10	● 242722	1	30	● 228320	M6x45 4	C 50	● 227067	1	68	● 240091	1	92	241534	1
12	● 240151	M8x10 1	32	235911	M6x12 2	C 51	●● 227073	1	69	● 229973	1	93	● 241536	5
A 13	229842	M10x16 1	33	236642	2	C 52	●● 236394	1	70	● 229823	1	A 96	241155	1
A 14	236596	1	34	246864	1	53	236981	2	71	● 229824	1	97	240936	1
15	236529	3	35	235911	M6x12 2	54	241685	1	72	● 240618	2	99	229850	2
16	235804	M5x30 2	36	228152	2	55	● 235921	M6x30 2	73	● 240833	3			
17	236381	M5x10 1	37	236642	2	56	● 236558	M6x40 4	C 74	● 227082	1			
B 18	242043	1	38	227280	1	57	● 235912	6	C 75	●● 227054	1			
19	● 235806	M5x20 2	39	● 246955	1	58	● 241684	2	C 76	●● 236394	1			



A	1	241985B	McCulloch	-
A		538248585	Partner	-
	2	• 5206		1
B	3	• 241154		2
B	4	• 248583B	McCulloch	1
B		• 538248586	Partner	1
	5	• 240852		1
	6	• 5210		1
	7	• 229712	M5x16	1

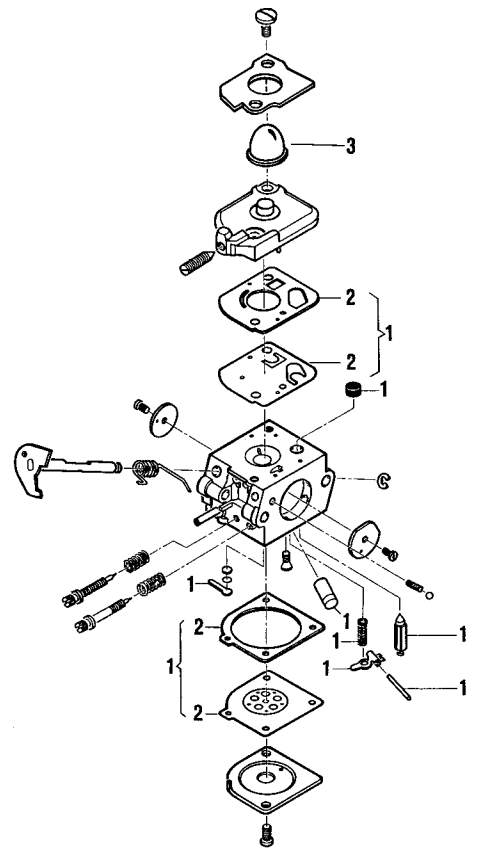
FIGURE 3

WALBRO WT 547



C	-		241601	carbur.
B	1	•	324013	1
A	2	••	324009	1
C	3	•	225834	1
	4	•	224466	1

ZAMA C1Q M38



C	-		241824	carbur.
B	1	•	300465	1
A	2	••	300473	1
C	3	•	246946	1

FIGURE 4

A = high moving - alta rotazione - haute demande - große Nachfrage
 B = medium moving - media rotazione - moyenne demande - mittelmäßige Nachfrage
 C = slow moving - bassa rotazione - basse demande - wenige Nachfrage